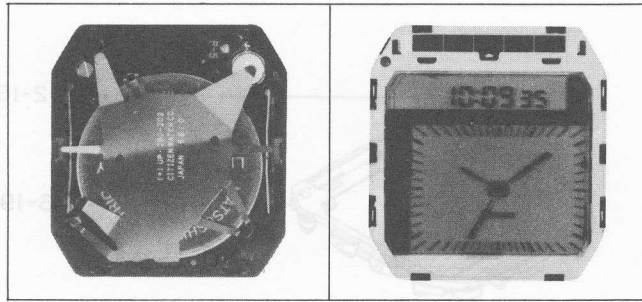




Citizen 9610 Movement Parts (1)

Compiled by EmmyWatch - <https://www.emmywatch.com>

Catalog No. 961-1



961-1
(Catalog No.)

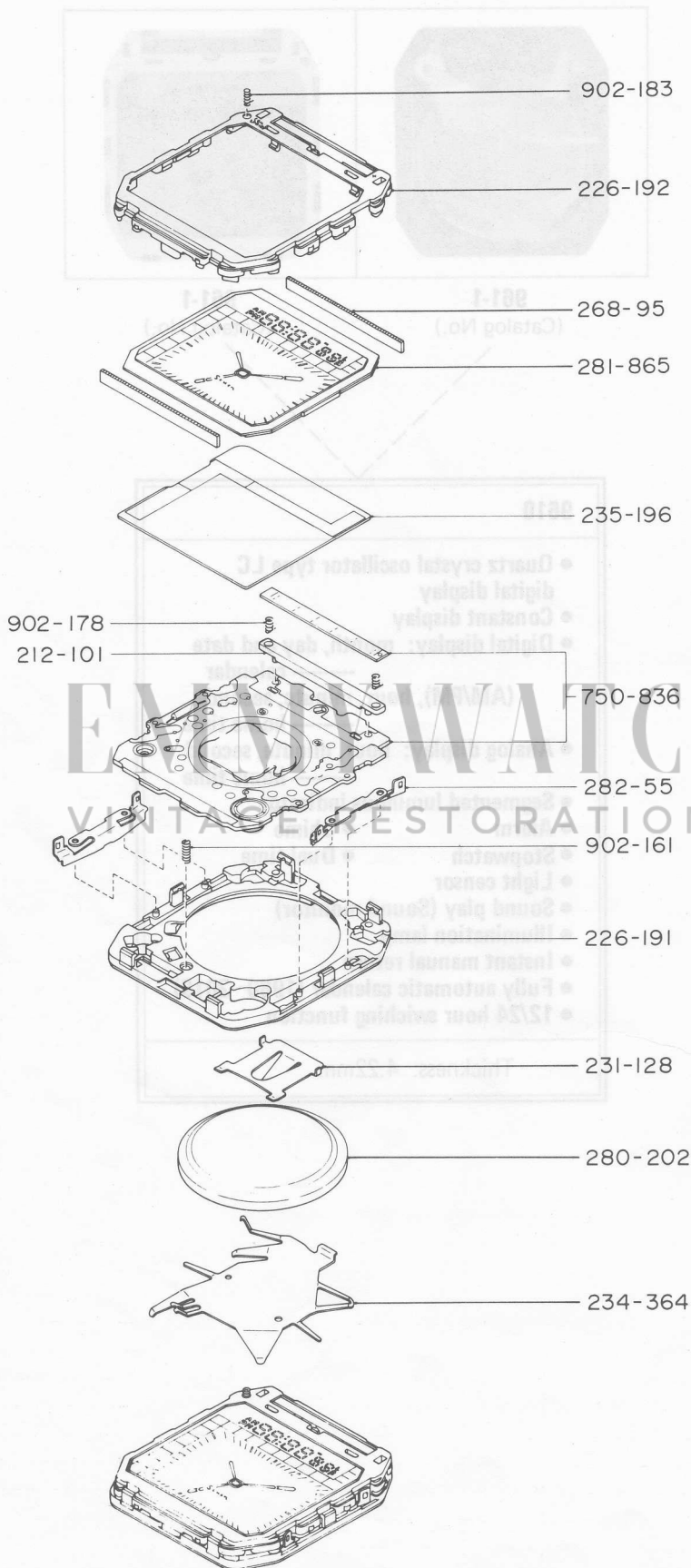
961-1
(Catalog No.)

9610

- Quartz crystal oscillator type LC digital display
- Constant display
- Digital display: month, day and date ----- calendar
(AM/PM), hour, minute, second ----- home time
- Analog display: hour, minute, second ----- home time
- Segmented luminous indicator
- Alarm • Chime
- Stopwatch • Dual time
- Light censor
- Sound play (Sound monitor)
- Illumination lamp
- Instant manual return
- Fully automatic calendar (1980~2019)
- 12/24 hour swiching function

Thickness: 4.22mm

Size	27.0 x 25.0mm
Vibrations per second	32,768Hz



ENVI WATCH
VINTAGE RESTORATIONS

mm0.85 x 0.75	Size
32,100Hz	Vibrations per second

Catalog No. 961-1

Parts No.	Name of parts	Caliber No.																		
		Nos. of jewels	9610																	
		0																		
750	Plate complete (with light censor)	836																		
212	Supporter for right censor	101																		
226	Supporter for plate complete	191																		
226	Supporter for LC display panel	192																		
231	Power cell connector spring	128																		
234	Power cell strap	364																		
235	Light diffusing plate	196																		
268	LC display panel connection rubber	95																		
280	Power cell	202																		
281	LC display panel	865																		
282	Switch actuating spring	55																		
902	Buzzer contact spring	161																		
902	Contact spring for display frame	183																		
902	Contact spring for light censor	178																		

EMMYWATCH
VINTAGE RESTORATIONS