

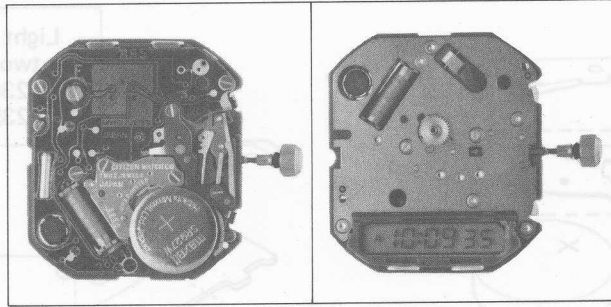


**EMMYWATCH**  
VINTAGE RESTORATIONS

**Citizen 8950,8951 Movement Parts (1)**

*Compiled by EmmyWatch - <https://www.emmywatch.com>*

Catalog No. 895-1 ~ 895-2



**895-1**  
(Catalog No.)

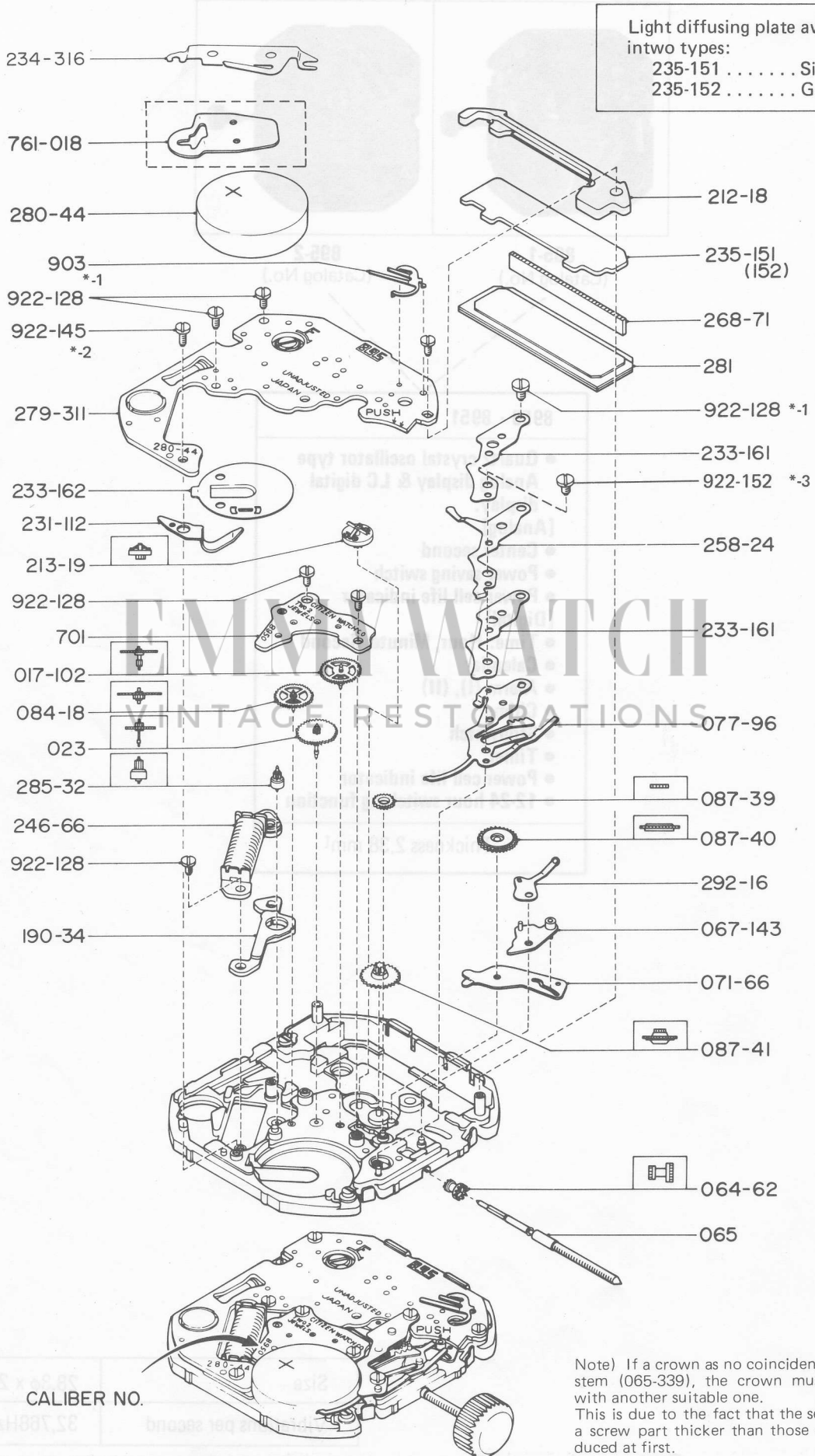
**895-2**  
(Catalog No.)

**8950 · 8951**

- Quartz crystal oscillator type  
Analog display & LC digital display.
- [Analog]
- Center second
- Power saving switch
- Power cell life indicator
- [Digital]
- Time: Hour, Minute, Second
- Calendar
- Alarm (I), (II)
- Chime
- Stopwatch
- Timer
- Power cell life indicator
- 12-24 hour switching function

Thickness 2.38 mm<sup>t</sup>

Size	28.3φ x 22 x 25mm
Vibrations per second	32,768Hz



Note) If a crown as no coincidence with setting stem (065-339), the crown must be replaced with another suitable one. This is due to the fact that the setting stem has a screw part thicker than those which are produced at first.



Catalog No. 895-1

Parts No.	Name of parts	Caliber No.																		
		8950	8951																	
		02	02																	
701	Train wheel bridge	494	531																	
017	Third wheel and pinion	102	—	○																
023	Fourth wheel and pinion	153	181																	
064	Clutch wheel	62	—	○																
065	Setting stem	339	—	○																
067	Setting lever	143	—	○																
071	Yoke	66	—	○																
077	Setting lever spring	96	—	○																
084	Fifth wheel and pinion	18	—	○																
087	Intermediate switch wheel [I]	39	—	○																
087	Intermediate switch wheel [II]	40	—	○																
087	Intermediate switch wheel [III]	41	—	○																
190	Stator	34	—	○																
212	Spacer for LC display panel	18	—	○																
213	Switch wheel	19	—	○																
226	Supporter for LC display panel	149	—	○																
231	Power cell connector spring	112	—	○																
233	Switch lead insulator	161	—	○																
233	Power cell insulator	162	—	○																
235	Light diffusing plate (Silver)	151	—	○																
235	Light diffusing plate (Gold)	152	—	○																
246	Coil unit	66	—	○																
258	Switch lead	24	—	○																
268	LC display panel connection rubber	71	—	○																
279	Unit of electronic circuit	311	—	○																
280	Power cell	44	—	○																
281	LC display panel	561	933																	
285	Rotor	32	—	○																
292	Switch lever	16	—	○																
903	Buzzer contact spring	97	114																	
922	Screw for train wheel bridge	128	—	○																
922	Screw for coil unit	128	—	○																
922	Screw for unit of electronic circuit (*-1)	128	—	○																
922	Screw for unit of electronic circuit (*-2)	145	—	○																
922	Screw for setting lever spring (*-3)	152	—	○																
761	Power cell strap for checking	018																		
234	Power cell strap for checking		316																	

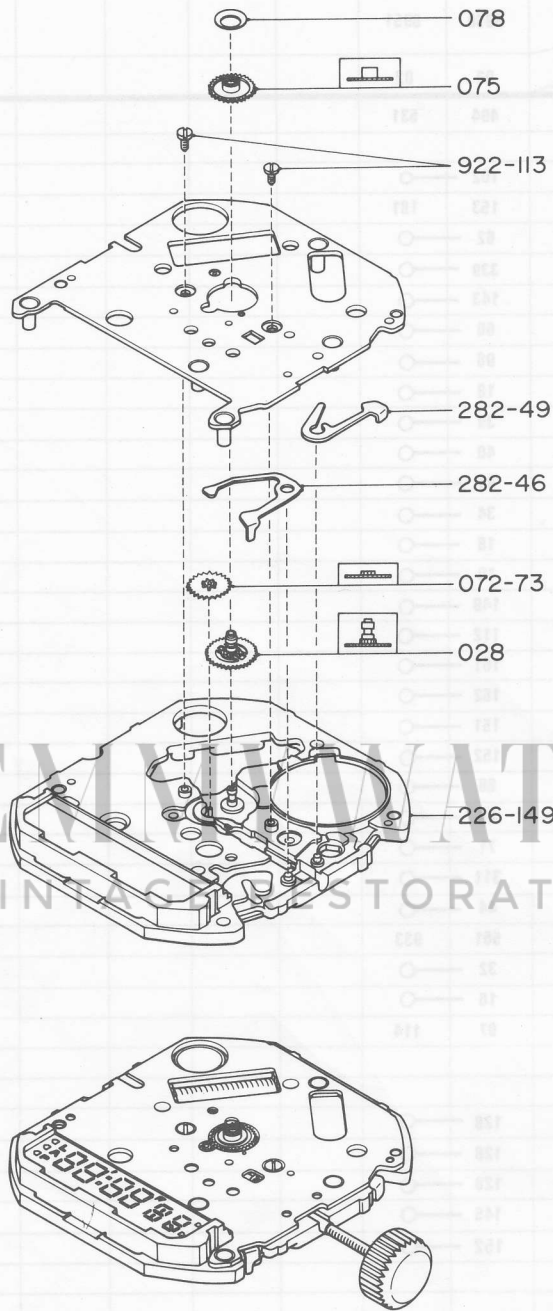


EXHIBIT WATCH  
VINTAGE RESTORATIONS

Parts No.	Name of parts	Caliber No.	
		8950	8951
		02	02
028	Cannon pinion with driving wheel	59	85
072	Minute wheel and pinion	73	—
075	Hour wheel	191	234
078	Dial washer	04	12
282	Switch actuating spring [I]	46	—
282	Switch actuating spring [II]	49	—
922	Plate screw	113	—

**Jewels**

Parts No.	Name of parts	Caliber No.	
		8950	8951
		02	02
942	Rotor/U	76	—
942	Rotor/L	76	—