



**Bulova 2182 Movement Parts (1)**

*Compiled by EmmyWatch - <https://www.emmywatch.com>*

# Parts List model 2182

(All other parts same as basic series 218)

- 187** Hour Wheel Spacer
- 208** Clutch Wheel
- 305** Date Bridge Screw
- 321** Date Corrector Detent Screw
- 406** Dial Support Ring (see Fig. 46)
- 569** Date Corrector
- 570** Date Corrector Detent
- 571** Date Bridge
- 572** Date Indicator Detent
- 573** Date Indicator Detent Spring
- 574** Date Trip Wheel Assembly
- 576** Date Indicator  
(Specify Dial Aperture and Crown Location)
- 579** Center Wheel Assembly
- 580** Minute Wheel Assembly
- 581** Calendar Trip Arm Assembly
- 582** Date Trip Spring
- 586** Day Indicator Detent
- 591** Day Indicator
- 599** Hour Wheel Assembly
- 611** Day Indicator Detent Spring

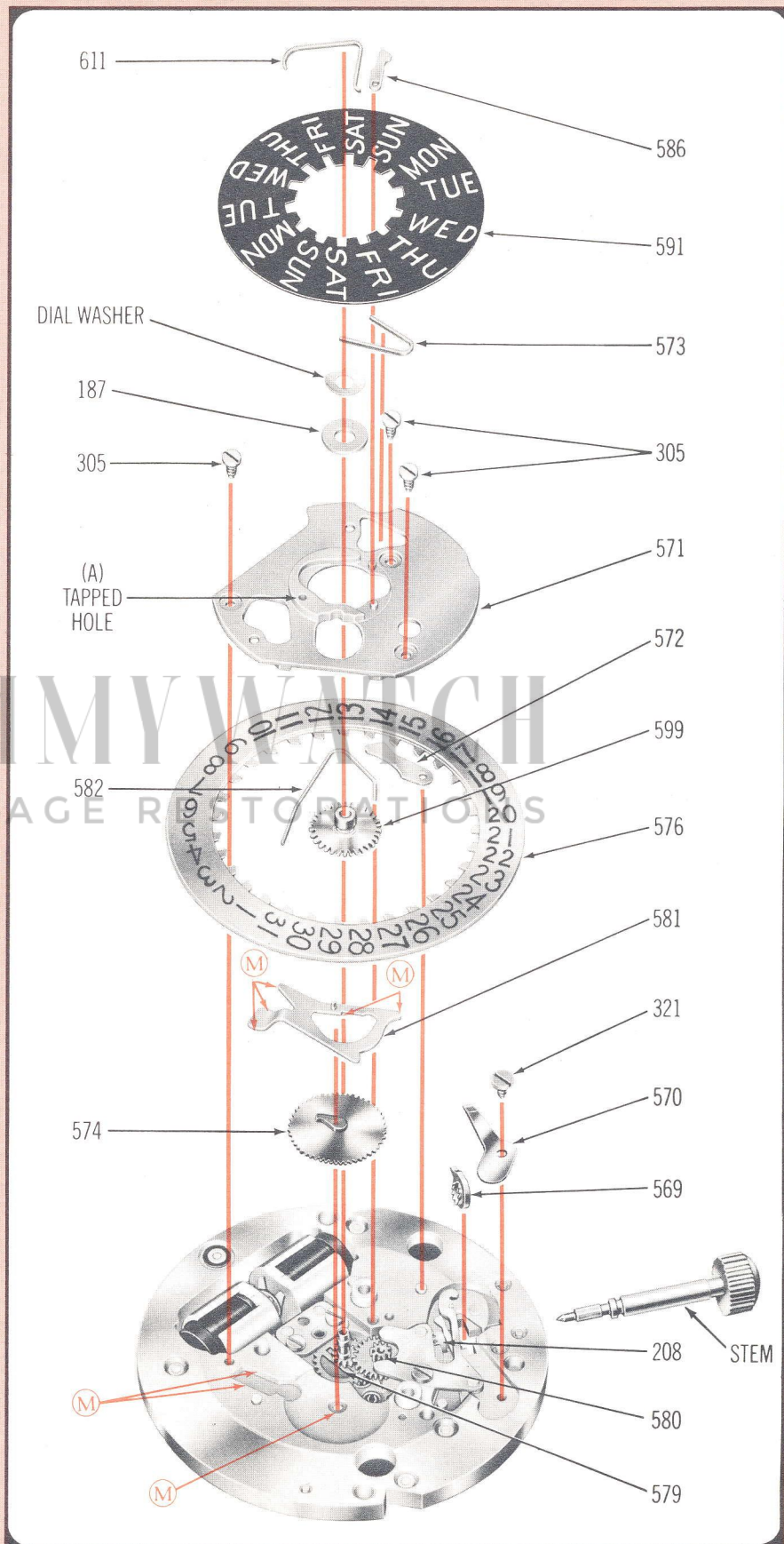




Fig. 46

**IMPORTANT:** Be sure to indicate model number engraved on movement when ordering replacement parts.

1

## Removing hands and dial

- a. Pull stem out (setting position).
- b. Remove hands.
- c. Remove dial (2 screws) and dial support ring #406.

2

## Replacing dial and hands

- a. Pull stem out (setting position).
- b. Replace dial support ring #406 and dial (dial should be seated on dial support ring before tightening dial screws).

**NOTE:** The dial limits endshake in the day mechanism and should seat on the date bridge #571 at the center. If correction is necessary flatten dial slightly by placing it in a 214 ACCUTRON movement holder and apply light pressure at center with pencil eraser.

- c. Check hour wheel endshake (.05mm to .10mm). If necessary, adjust by means of hour wheel spacer.
- d. Turn crown counter-clockwise, moving the dial train ahead until the calendar advances—stop turning crown immediately.
- e. Replace hour and minute hands at 12 o'clock. The hour hand **must** fit tight; the minute hand only temporarily affixed. Check calendar advance, in relation to hand location, by turning hands backward to 5:30 o'clock and then forward. The calendar should advance when the hands reach 11:58 o'clock; reposition and/or secure minute hand when properly aligned.
- f. Replace sweep-second hand (be sure stem is "out").
- g. Check hack mechanism adjustment (page 20).
- h. Check index mechanism adjustment (pages 15-18).